

MANISCOPIC

■ MT 523



- Maximum lifting height : 4,97 m
- Capacity : 2300 kg
- Maximum forward reach : 2,82 m
- Hydrostatic transmission

MT 523

Lifting capacity2300 kg
 at 500 mm from forks heels.
 Tipping load
 at maximum reach :1535 kg
 Tear out force with bucket
 to ISO 8313.....4050 daN

Lifting height :4.97 m
 Times : unladen/loaded (in s)
 Lifting6/6.7
 Lowering4/4
 Boom extension.....4.5/4.6
 Boom retraction3/2.4
 Time unladen (in s)
 Crowd2.7
 Dump2.3

Tyres
 12.0 - 18 T86 12 PR

Forks (mm)
 Length.....1200
 Width x thickness.....125 x 40

Oil bath multidisc brakes

Perkins engine
 Type1103C 33 3/3300 cm³
 Power (ISO/TR 14396)58 HP/43 kw
 Maximum torque.....222 Nm at 1400 tr/mn
 Direct injection
 Water cooling

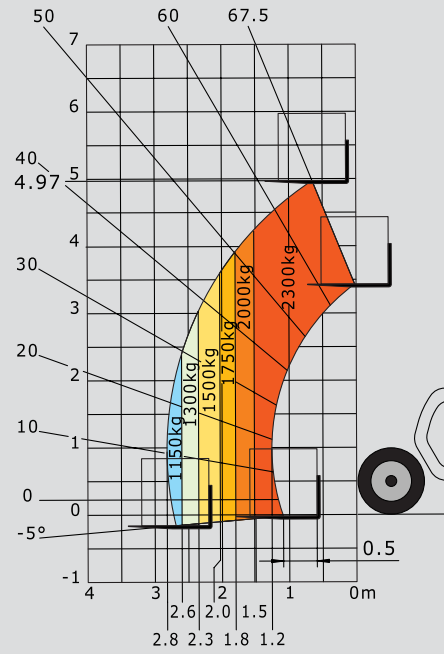
Transmissionhydrostatic
 Electro - hydraulic reversing shift
 One speed forward and reverse

Hydraulics
 Lifting/tilting pump :
 gear type87 l./mn - 230 bars
 Flow divider with priority to steering

Capacities
 Cooling system.....24 l.
 Transmission oil.....123 l.
 Engine oil6.9 l.
 Fuel tank.....94 l.

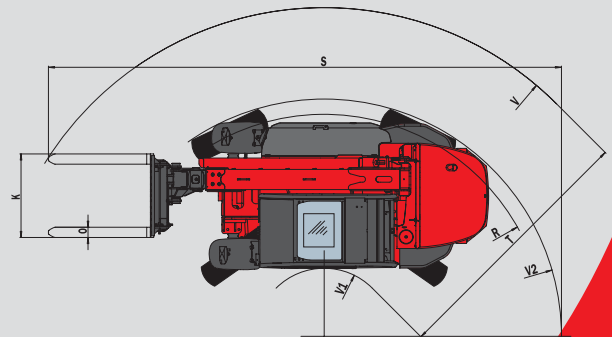
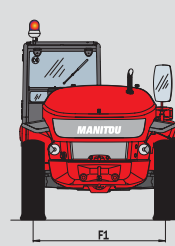
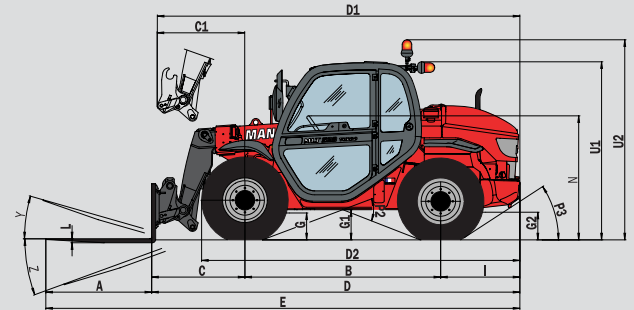
Weight unladen (with forks).....5020 kg
Overall width1.81 m
Overall height1.99 m
Turning radius (outside wheels)3.10 m
Length up to carriage.....4.20 m
Ground clearance.....0.30 m
Drawbar pull.....3400 daN

Reach at maximum height : 0,64 m



Under EN 1459 annexe B

| MT 523 | |
|--------|--------|
| Atmo | |
| A | 1200 |
| B | 2230 |
| C | 1066 |
| C1 | 1005 |
| D | 4201 |
| D1 | 4140 |
| D2 | 3604 |
| E | 5401 |
| F | 1500 |
| F1 | 1500 |
| G | 290 |
| G1 | 335 |
| G2 | 305 |
| I | 905 |
| J | 865 |
| K | 1040 |
| L | 40 |
| N | 1390 |
| O | 125 |
| P2 | 39° |
| P3 | 31° |
| R | 2875 |
| S | 6470 |
| T | 3125 |
| U1 | 1990 |
| U2 | 2280 |
| V | 4130 |
| V1 | 1005 |
| V2 | 3090 |
| W | 1815 |
| Y | 12° |
| Z | 120.2° |



(mm)

This publication in no way constitutes an offer and the company reserves the right to alter specification without prior notice. The MANITOU models presented in this brochure can be supplied complete with optional equipment attachments.

